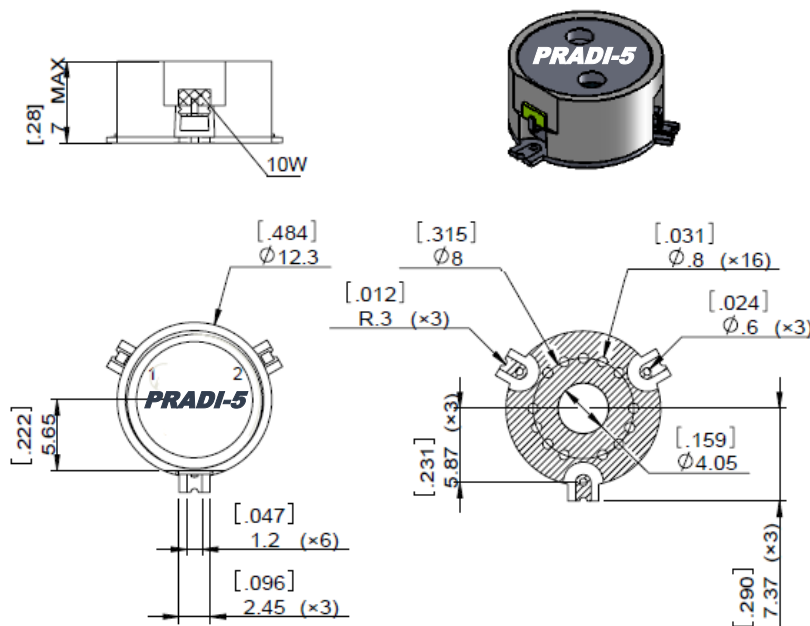


PRADI-5GHz-SMTシリーズ

PRADI-5.15-5.25-SMT-2WR-20W Pk(10% DC)-c

Surface Mount Isolator for High Power FET

Frequency: 5.15-5.25GHz, 2Watts Average, Clock-wise(Right) config , 20Watts Peak Power, 10% Duty Cycle



Tolerance Table Metric (inch)
(unless otherwise stated):
Hole diameter +/- 0.1mm, (+/- 0.004")
Dimensions (w*h) +/- 0.3 mm, (+/- 0.015")
Dimensions (Microstrip pad, Stripline Tab, Dimensions (hole position) +/- 0.1mm, (+/- 0.04")
Machined surfaces
Flatness 0.025/mm, (0.001/ inch)
Bend radius 0.8mm, (0.031" or 1/32")

Material: Steel
Surface Treatment:
Nickel plating or Silver Plating

Units: [Inch]mm
Not to scale

Direction of RF:	
R	Default ▶
L	◀

Specifications:

PRADI-5.15-5.25-SMT-2WR-20W Pk(10% DC)-c

Frequency GHz	Insertion loss dB (max)	Isolation dB (min)	Return Loss dB (min)	Average Power Watts	Peak Power Watt	Operating Temp °C	Duty Cycle %	Type
5.15-5.25	0.4	20	20	2	20	-40 to +85	10	SMT

Termination/ Attenuator (Watt/ dB): 10

REFLOW PROFILE

Average Ramp-Up Rate	2°C/Sec Max
Preheat 25°C~150°C	200 Secs
Peak Temperature	245°C ± 5°C
Time within 5°C of actual Peak Temperature	8 Secs Max
Average Ramp-Down Rate	4°C/Sec Max
Time 25°C to Peak Temperature	300 Secs

Suggested Reflow Profile for SMT Circulators

